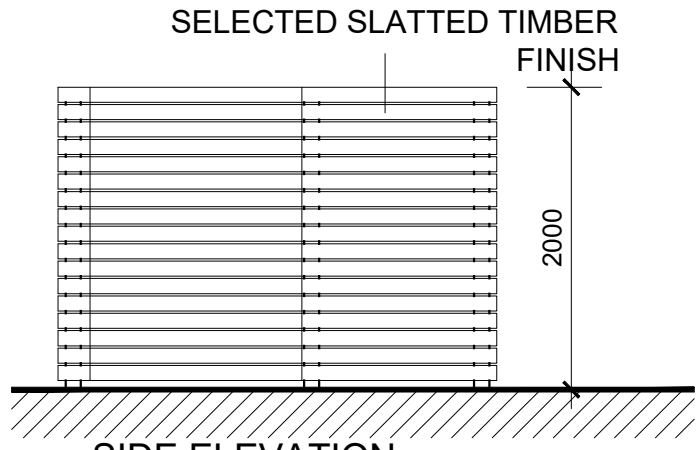


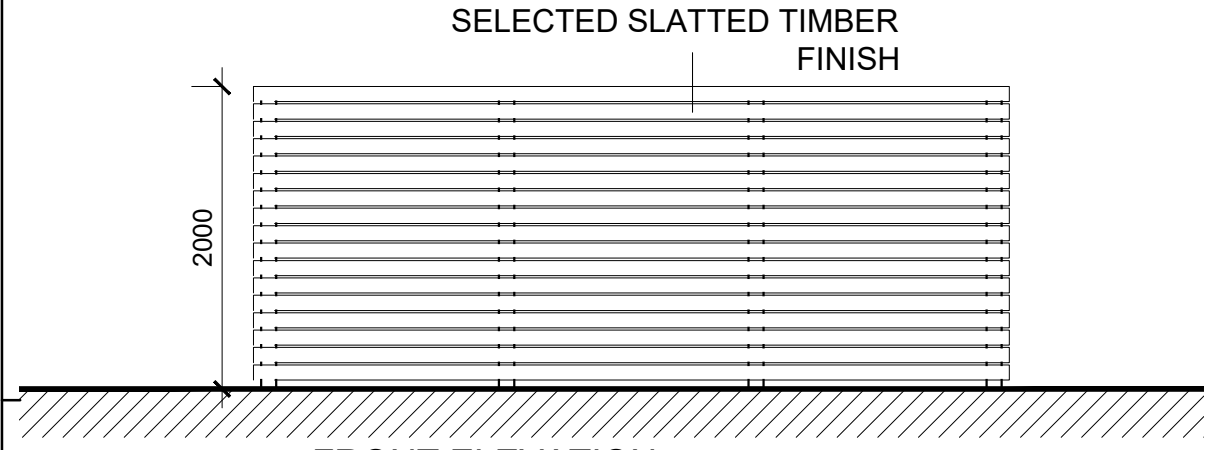
DO NOT SCALE. WORK TO FIGURED DIMENSIONS ONLY.
 ALL EXISTING DIMENSIONS TO BE CHECKED ON SITE.
 DRAWN ON AUTOCAD R2004 AT DEADY GAHAN ARCHITECTS LTD
 LAYERS ON THIS DRAWING COMPLY WITH BS 1192: PART 5



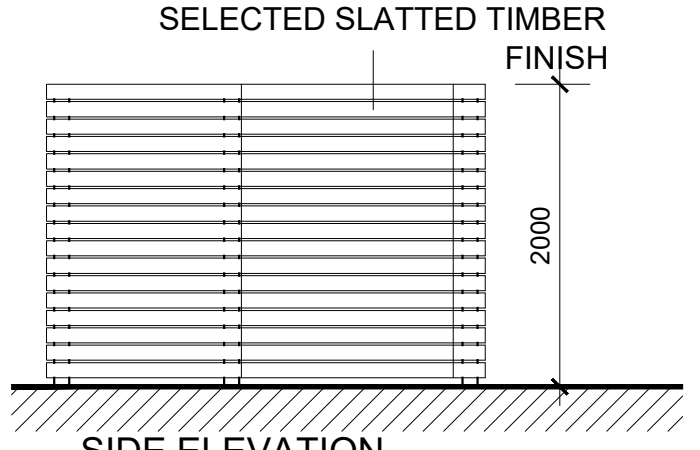
REAR ELEVATION
 Scale 1:50



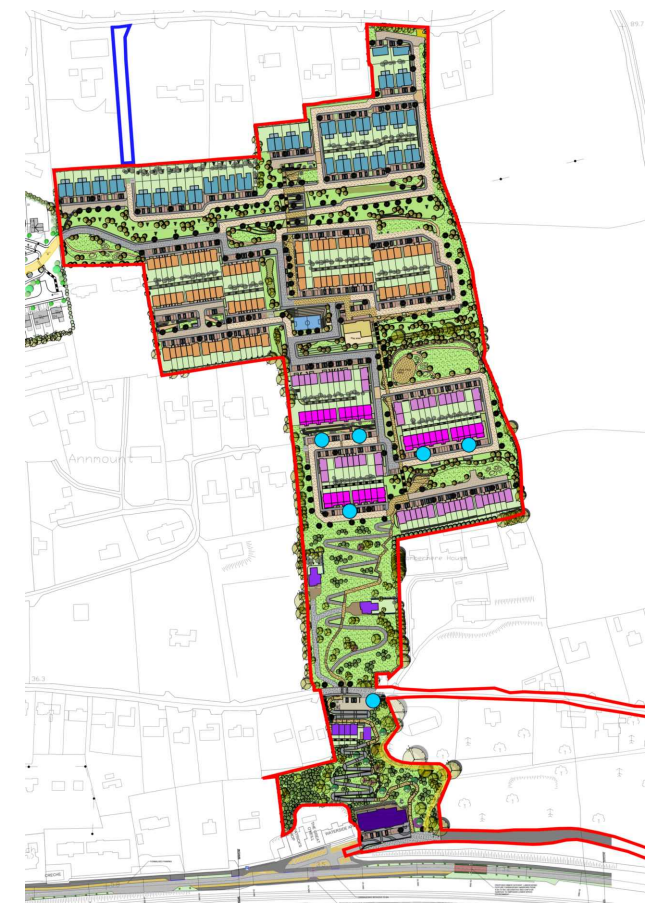
SIDE ELEVATION
 Scale 1:50



FRONT ELEVATION
 Scale 1:50

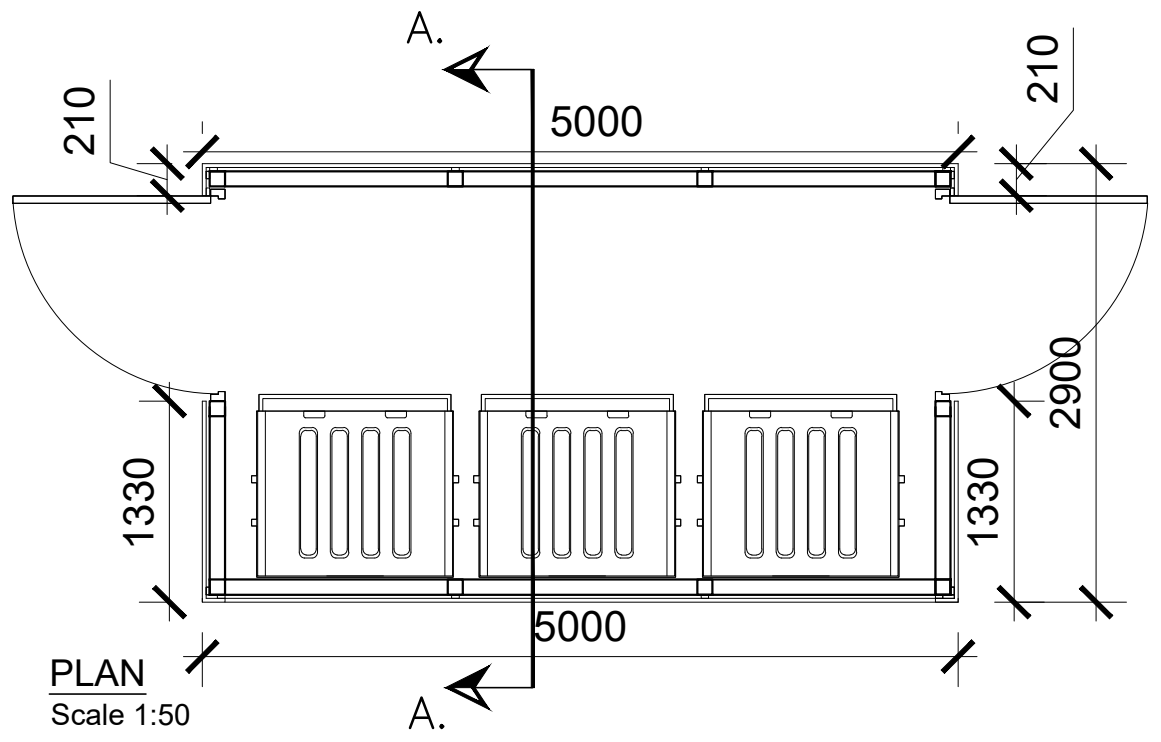


SIDE ELEVATION
 Scale 1:50



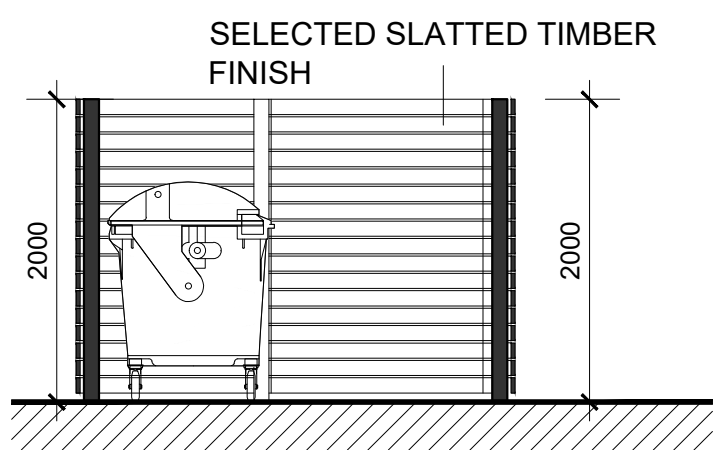
KEY PLAN (6no. BIN STORES)
 NTS @ A3

(** APARTMENT BLOCK COMMUNAL
 BIN STORE CONTAINED
 IN DESIGNATED BIN STORE ROOM
 ON GROUND FLOOR-SEE APARTMENT
 BLOCK FLOOR PLANS)



PLAN
 Scale 1:50

PROPOSED BIN STORE
 SCALE 1:50 @ A3

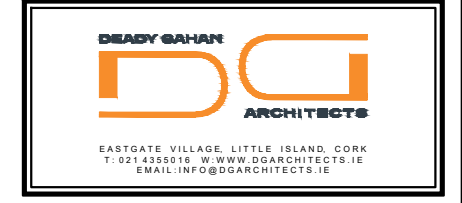


SECTION A-A
 Scale 1:50



BIN STORE
 SAMPLE IMAGE (SLATTED TIMBER FINISH)

| date | rev | name | chk | note |
|----------|-----|------|-----|--------------------|
| 01.12.21 | P1 | LM | EJG | ISSUE FOR PLANNING |



Project
 PROPOSED RESIDENTIAL DEVELOPMENT
 AT THE TOWNLAND OF LACKENROE, GLOUNTHAUNE, CO. CORK

Drawing title
 PROPOSED TYPICAL BIN STORE WITH LOCATION PLAN

| | | | |
|----------------------|---------------------------|----------------|------------------|
| Scale 1:50 @A3 | Drawn SF | Checked EJG | Date 14.12.20 |
| Project No. 20151 | Drig. No. 20151/P10/10 | Revision P1 | |

| | |
|---|---------------------------------------|
| <input type="checkbox"/> Information \ Comments | <input type="checkbox"/> Tender |
| <input type="checkbox"/> Planning | <input type="checkbox"/> Construction |